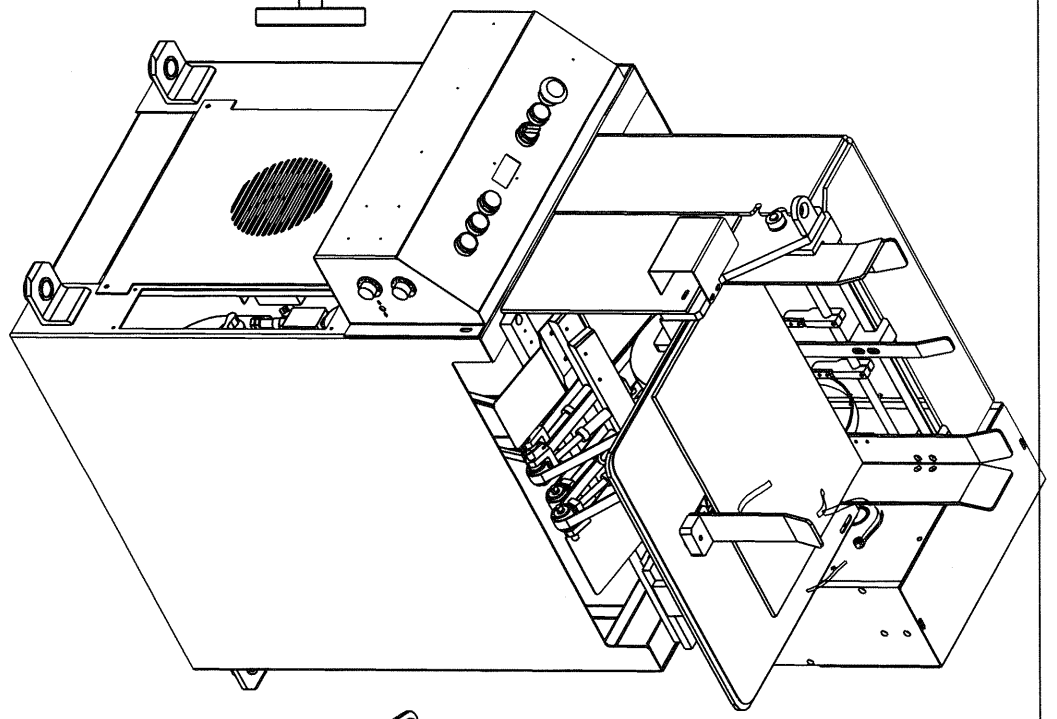
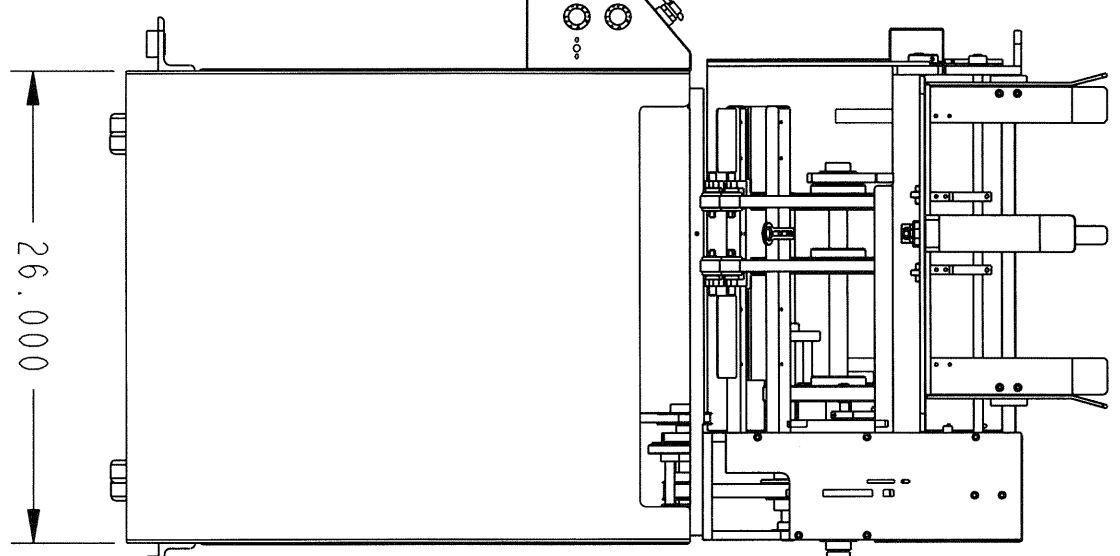
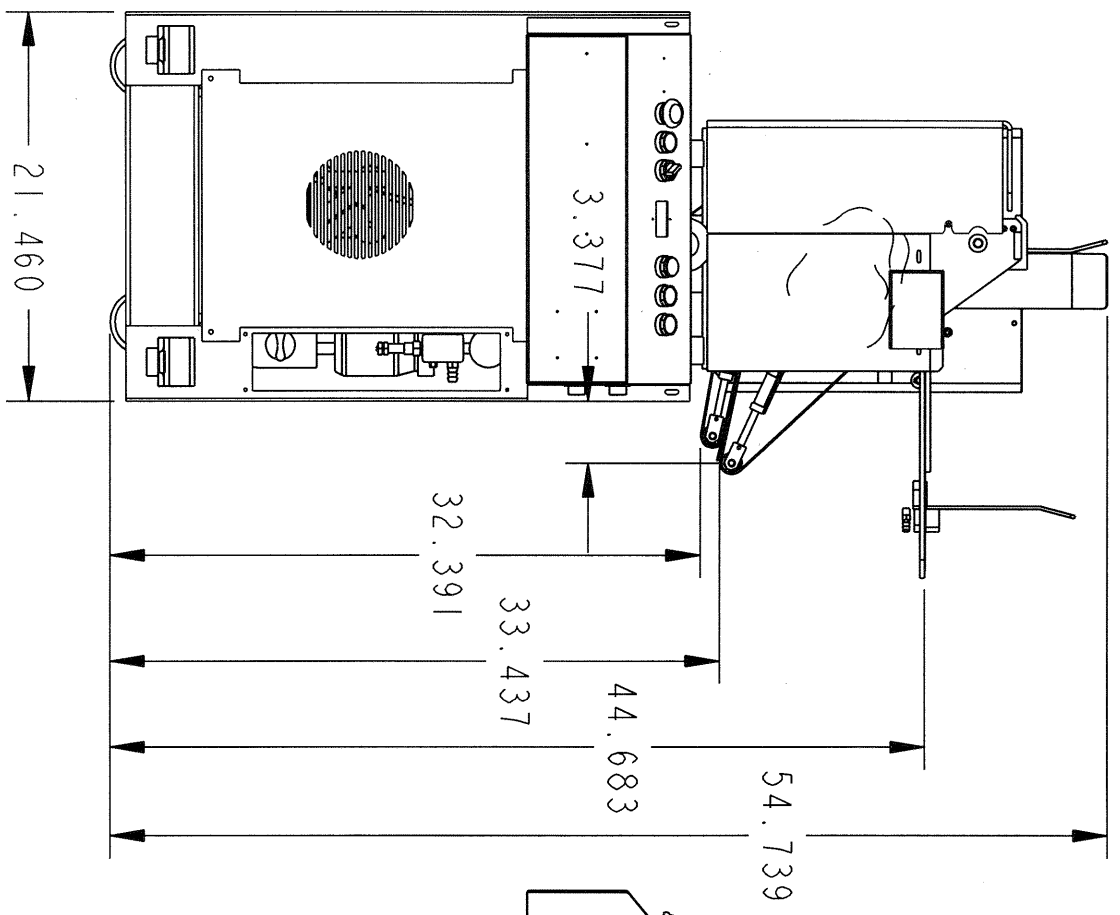
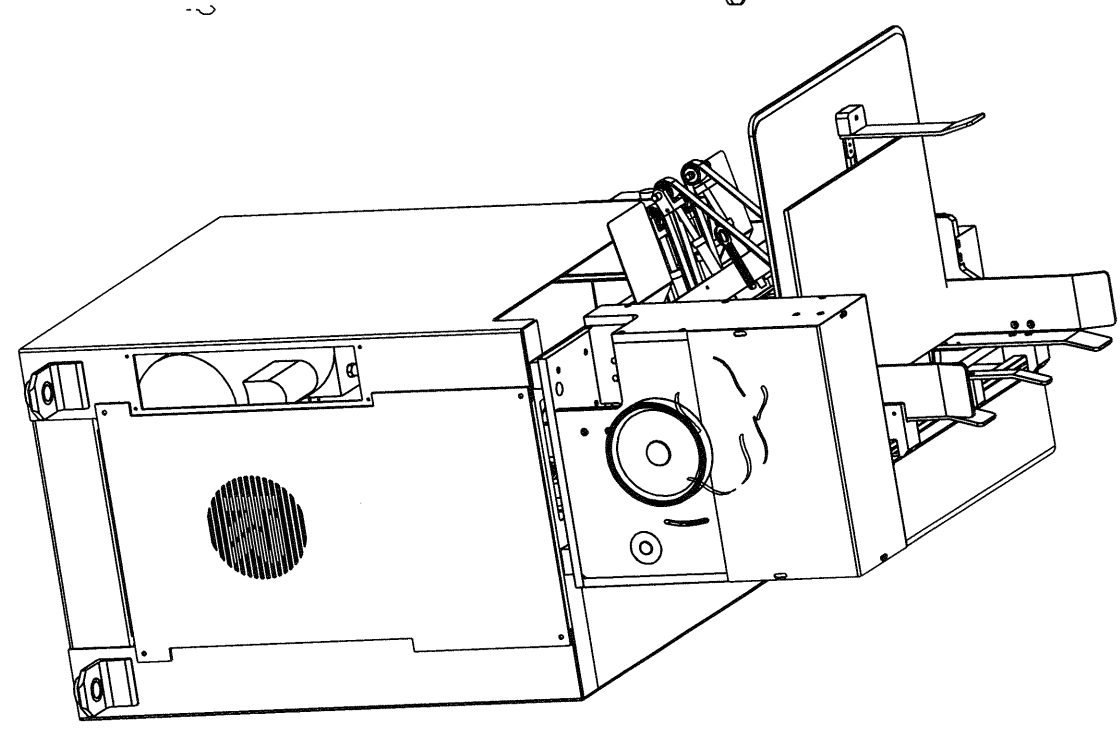


ITEM	QTY	PART #	DESCRIPTION
1	1	105021	V-PULLEY, AK30
2	1	106014-1	BELT, V AX56
3	1	533196-08	ASSY, XXX
4	2	533751-01	BAR, FEEDER MOUNT HORT.
5	1	534758-02	SHAFT, DRIVE STAND ALONE CABINET
6	1	SP69400	ASSY, 8.25 IN. ROTARY FEEDER

REV NO	DATE	DESCRIPTION	ECN NO	BY



SCALE 0.100



SCALE 0.100

PREFERENCE ON POWER?  
120V/20AMP OR  
220V/15AMP

REV	WHERE USED
1	XXX

DRAWN BY: JMW CHECKED BY: TACED BY:	SCALE: 0.100 DATE: 01-NOV-05 MASTER	DIMENSIONAL TOLERANCES UNLESS OTHERWISE NOTED II .01 III .005 IIII .5 REMOVE ALL BURRS AND SHARP EDGES UNLESS OTHERWISE NOTED ALL DIMENSIONS ARE FINISHED DIMENSIONS DO NOT SCALE - WORK TO DIMENSIONS ONLY	MATERIAL: N/A HEAT TREAT: N/A FINISH: N/A	THIRD ANGLE PROJECTION MODEL: SA403 SHEET NO: 1 OF 1	TITLE: ASSY, ROTARY FEEDER STAND PROPRIETARY AND CONFIDENTIAL NO PORTION OF THIS DRAWING MAY BE QUOTED OR REPRODUCED WITHOUT THE WRITTEN PERMISSION OF KIRK-RUDY, INC. WOODSTOCK, GA 30188 USA
----------------------------------------------	-------------------------------------------------	----------------------------------------------------------------------------------------------------------------------------------------------------------------------------------------------------------------------------------------	----------------------------------------------------------	------------------------------------------------------------------	---------------------------------------------------------------------------------------------------------------------------------------------------------------------------------------------------------------------

**K** KIRK - RUDY, INC.  
WOODSTOCK, GEORGIA

DRAWING 1  
SA403